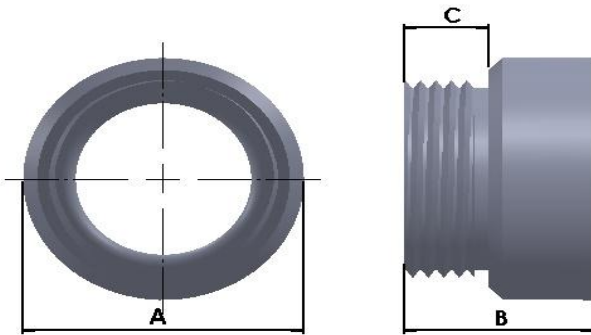


# TECHNICAL SPECIFICATION

## Adaptors



Used to adapt the metric thread fittings with NPT fittings and otherwise

Grooved design for surface engagement of connection

**Material:** Steel  
(Use suffix SS with Cat No. for Stainless steel)

**Finish:** Electrogalvanized  
(Use suffix HDG with Cat No. for Hot Dip Galv.)

CATNO.	SIZE (M X F)	DIMENSIONS		
		A	B	C
ADF050	M20 X 1/2"	25.00	27.00	12.00
ADF075	M25 X 3/4"	34.00	27.00	12.00
ADF100	M32 X 1"	40.00	27.00	12.00
ADF125	M40 X 1-1/4"	50.00	29.00	12.00
ADF150	M50 X 1-1/2"	63.00	38.00	18.00
ADFM20	1/2" X M20	25.00	28.00	18.00
ADFM25	3/4" X M25	34.00	29.00	19.00
ADFM32	1" X M32	40.00	29.00	19.00
ADFM40	1-1/4" X M40	50.00	29.00	19.00
ADFM50	1-1/2" X M50	63.00	29.00	19.00

\*\* All dimensions in mm

