



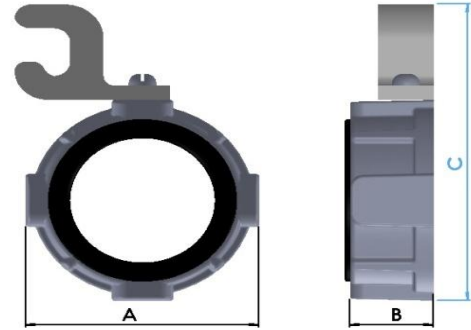
## TECHNICAL SPECIFICATION

### Insulating Bushing - Grounding Type

Insulating bushing furnished with Aluminium Lay In Lug to provide grounding.

**Material:** Iron

**Finish:** Electrogalvanized  
(Use suffix HDG with Cat No. for Hot Dip Galv.)



CATNO.	SIZE	DIMENSIONS	
		A	B
IBG050	1/2"	29.50	12.00
IBG075	3/4"	35.50	12.90
IBG100	1"	41.40	14.50
IBG125	1-1/4"	51.80	17.20
IBG150	1-1/2"	60.00	16.80
IBG200	2"	71.10	18.00
IBG250	2-1/2"	81.80	20.20
IBG300	3"	100.40	21.00
IBG350	3-1/2"	114.00	23.00
IBG400	4"	126.00	23.00
IBG500	5"	159.30	25.40
IBG600	6"	187.70	24.90
IBG800	8"	242.30	32.00

\*\* All dimensions in mm

CATNO.	SIZE	THREAD SIZE	DIMENSIONS	
			A	B
IBG20	20 mm	M20	29.50	12.00
IBG25	25 mm	M25	35.50	12.90
IBG32	32 mm	M32	41.40	14.50
IBG40	40 mm	M40	51.80	17.20
IBG50	50 mm	M50	60.00	16.80
IBG63	63 mm	M63	71.10	18.00

\*\* All dimensions in mm