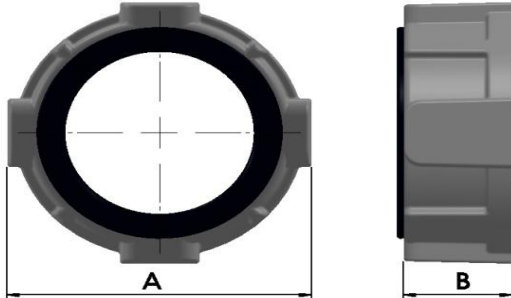




TECHNICAL SPECIFICATION



Insulating Bushing - Threaded

Used to protect conductors from damage by rough and sharp edges of conduit during pulling

Nylon insulation

Material: Iron

Finish: Electrogalvanized
(Use suffix HDG with Cat No. for Hot Dip Galv.)

CATNO.	SIZE	DIMENSIONS	
		A	B
IB050	1/2"	29.50	12.00
IB075	3/4"	35.50	12.90
IB100	1"	41.40	14.50
IB125	1-1/4"	51.80	17.20
IB150	1-1/2"	60.00	16.80
IB200	2"	71.10	18.00
IB250	2-1/2"	81.80	20.20
IB300	3"	100.40	21.00
IB350	3-1/2"	114.00	23.00
IB400	4"	126.00	23.00
IB500	5"	159.30	25.40
IB600	6"	187.70	24.90
IB800	8"	242.30	32.00



CATNO.	SIZE	THREAD SIZE	DIMENSIONS	
			A	B
IB20	20 mm	M20	29.50	12.00
IB25	25 mm	M25	35.50	12.90
IB32	32 mm	M32	41.40	14.50
IB40	40 mm	M40	51.80	17.20
IB50	50 mm	M50	60.00	16.80
IB63	63 mm	M63	71.10	18.00

** All dimensions in mm

** All dimensions in mm

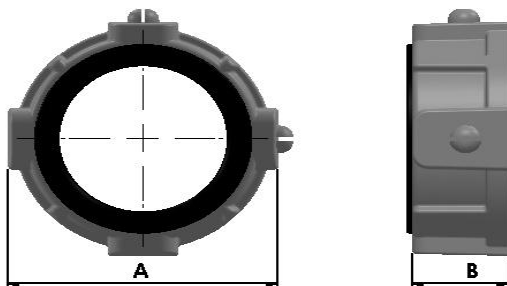
Insulating Bushing - Set Screw Type

Secures the conduit with help of 2 set screws furnished along

Eliminates the need of threading on conduit

Material: Iron

Finish: Electrogalvanized
(Use suffix HDG with Cat No. for Hot Dip Galv.)



CATNO.	SIZE	DIMENSION	
		A	B
IBS050	1/2"	29.50	12.00
IBS075	3/4"	35.50	12.90
IBS100	1"	41.40	14.50
IBS125	1-1/4"	51.80	17.20
IBS150	1-1/2"	60.00	16.80
IBS200	2"	71.10	18.00
IBS250	2-1/2"	81.80	20.20
IBS300	3"	100.40	21.00
IBS350	3-1/2"	114.00	23.00

CATNO.	SIZE	THREAD SIZE	DIMENSIONS	
			A	B
IBS20	20 mm	M20	29.50	12.00
IBS25	25 mm	M25	35.50	12.90

IBS400	4"	126.00	23.00
IBS500	5"	159.30	25.40
IBS600	6"	187.70	24.90
IBS800	8"	242.30	32.00

** All dimensions in mm

IBS32	32 mm	M32	41.40	14.50
IBS40	40 mm	M40	51.80	17.20
IBS50	50 mm	M50	60.00	16.80
IBS63	63 mm	M63	71.10	18.00

** All dimensions in mm

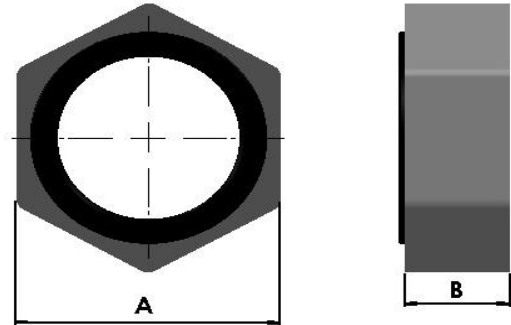
Insulating Bushing - Steel

Material: Steel

(Use suffix S with Cat No. for Stainless Steel)

Finish: Electrogalvanized

(Use suffix HDG with Cat No. for Hot Dip Galv.)



CATNO.	SIZE	DIMENSIONS	
		A	B
IB050S	1/2"	26.20	15.00
IB075S	3/4"	31.50	15.00
IB100S	1"	36.83	15.00

** All dimensions in mm

CATNO.	SIZE	THREAD SIZE	DIMENSIONS	
			A	B
IB20S	20 mm	M20	26.20	15.00
IB25S	25 mm	M25	31.50	15.00
IB32S	32 mm	M32	36.83	15.00

** All dimensions in mm

