



TECHNICAL SPECIFICATION

Liquid Tight Coupling

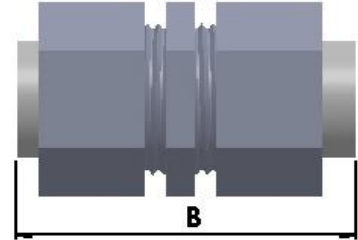
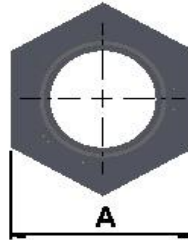
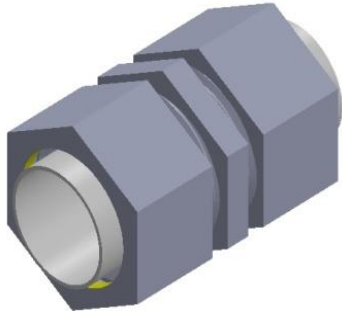
Used to connect same size Flexible Liquid Tight Conduit

Material: Iron

(Use suffix S with Cat No. for Steel)

Finish: Electrogalvanized

(Use suffix HDG with Cat No. for Hot Dip Galv.)



CATNO.	SIZE	DIMENSIONS	
		A	B
LTCP050	1/2"	32.00	51.00
LTCP075	3/4"	38.00	51.00
LTCP100	1"	43.00	58.00
LTCP125	1-1/4"	56.00	62.00
LTCP150	1-1/2"	62.00	80.00
LTCP200	2"	76.00	81.00

** All dimensions in mm