

TECHNICAL SPECIFICATION

Rain Tight Hub

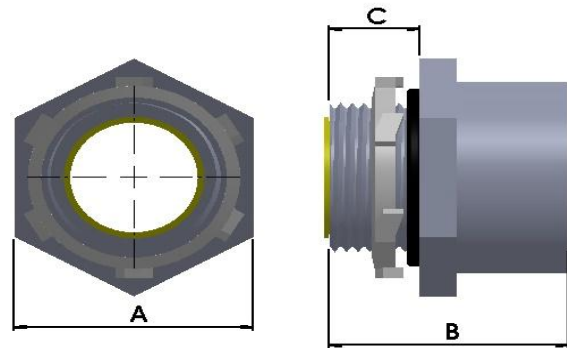
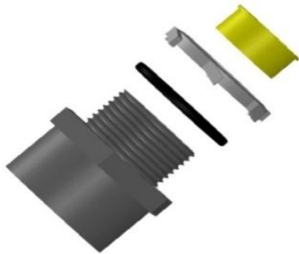
Used for connecting conduit pipe to enclosures for rain tight connections

Recessed O Ring

Insulated Throat

Material: Iron
(Use suffix S with Cat No. for Steel / SS for Stainless steel)

Finish: Electrogalvanized
(Use suffix HDG with Cat No. for Hot Dip Galv.)



CATNO.	SIZE	DIMENSIONS		
		A	B	C
CHM050	1/2"	37.00	33.00	12.00
CHM075	3/4"	41.00	37.00	15.00
CHM100	1"	48.00	42.00	15.00
CHM125	1-1/4"	58.00	44.00	16.00
CHM150	1-1/2"	64.00	48.00	17.50
CHM200	2"	77.00	48.00	17.50
CHM250	2-1/2"	92.00	61.00	24.00
CHM300	3"	110.00	67.00	24.00
CHM350	3-1/2"	124.00	73.00	25.40
CHM400	4"	132.00	73.00	25.40
CHM500	5"	166.00	80.00	26.18
CHM600	6"	189.00	83.00	26.18

** All dimensions in mm