

TECHNICAL SPECIFICATION

Reducing Bushing - Flush In Type

Used to reduce the hub size of fitting to connect smaller size conduit

Flush in design integrates with the connection

Rounded collar for smooth wire pulling

Material:

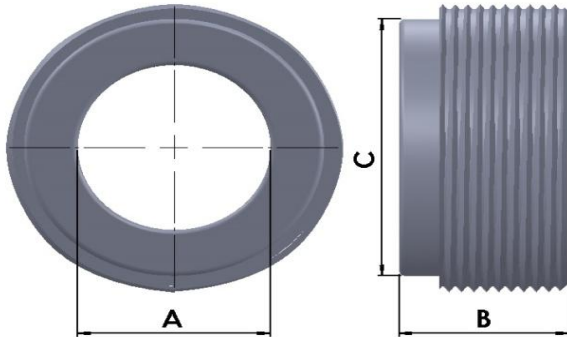
Upto 2" steel as standard

Above 2" Ductile Iron as standard

(Use suffix S with Cat No. for Steel / SS for Stainless steel)

Finish: Electrogalvanized

(Use suffix HDG with Cat No. for Hot Dip Galv.)



CATNO.	SIZE (M X F)	DIMENSIONS		
		A	B	C
RB050010	1/2" X 3/8"	10.00	15.90	17.02
RB075050	3/4" X 1/2"	15.80	15.90	22.18
RB100050	1" X 1/2"	15.80	15.90	27.88
RB100075	1" X 3/4"	20.90	15.90	27.88
RB125050	1-1/4" X 1/2"	15.80	17.65	36.36
RB125075	1-1/4" X 3/4"	20.90	17.65	36.36
RB125100	1-1/4" X 1"	26.60	17.65	36.36
RB150050	1-1/2" X 1/2"	15.80	16.75	43.04
RB150075	1-1/2" X 3/4"	20.90	16.75	43.04
RB150100	1-1/2" X 1"	26.60	16.75	43.04
RB150125	1-1/2" X 1-1/4"	35.00	16.75	43.04
RB200050	2" X 1/2"	15.80	19.30	54.86
RB200075	2" X 3/4"	20.90	19.30	54.86
RB200100	2" X 1"	26.60	19.30	54.86
RB200125	2" X 1-1/4"	35.00	19.30	54.86
RB200150	2" X 1-1/2"	40.80	19.30	54.86
RB250100	2-1/2" X 1"	26.60	25.40	66.32
RB250125	2-1/2" X 1-1/4"	35.00	25.40	66.32
RB250150	2-1/2" X 1-1/2"	40.80	25.40	66.32
RB250200	2-1/2" X 2"	52.50	25.40	66.32
RB300100	3" X 1"	26.60	25.40	82.11
RB300125	3" X 1-1/4"	35.00	25.40	82.11
RB300150	3" X 1-1/2"	40.80	25.40	82.11
RB300200	3" X 2"	52.50	25.40	82.11
RB300250	3" X 2-1/2"	62.70	25.40	82.11
RB350200	3-1/2" X 2"	52.50	25.40	96.00
RB350250	3-1/2" X 2-1/2"	62.70	25.40	96.00
RB350300	3-1/2" X 3"	77.90	25.40	96.00
RB400200	4" X 2"	52.50	25.40	107.00
RB400250	4" X 2-1/2"	62.70	25.40	107.00
RB400300	4" X 3"	77.90	25.40	107.00
RB400350	4" X 3-1/2"	90.10	25.40	107.00
RB500400	5" X 4"	102.25	25.40	134.00
RB600400	6" X 4"	102.25	25.40	160.00
RB600500	6" X 5"	128.19	25.40	160.00



CATNO.	SIZE (M X F)	DIMENSIONS		
		A	B (MAX)	C
RB2520	M25 X M20	16.00	15.90	22.00
RB3220	M32 X M20	16.00	15.90	29.00
RB3225	M32 X M25	21.00	15.90	29.00
RB4020	M40 X M20	16.00	17.65	37.00
RB4025	M40 X M25	21.00	17.65	37.00
RB4032	M40 X M32	28.00	17.65	37.00
RB5020	M50 X M20	16.00	16.75	47.00
RB5025	M50 X M25	21.00	16.75	47.00
RB5032	M50 X M32	28.00	16.75	47.00
RB5040	M50 X M40	36.00	16.75	47.00
RB6320	M63 X M20	16.00	19.30	60.00
RB6325	M63 X M25	21.00	19.30	60.00
RB6332	M63 X M32	28.00	19.30	60.00
RB6340	M63 X M40	36.00	19.30	60.00
RB6350	M63 X M50	46.00	19.30	60.00

** All dimensions in mm

Reducing Bushing - Hex Head Type

Used to reduce the hub size of fitting to connect smaller size conduit

Hex Head Design for tight connection

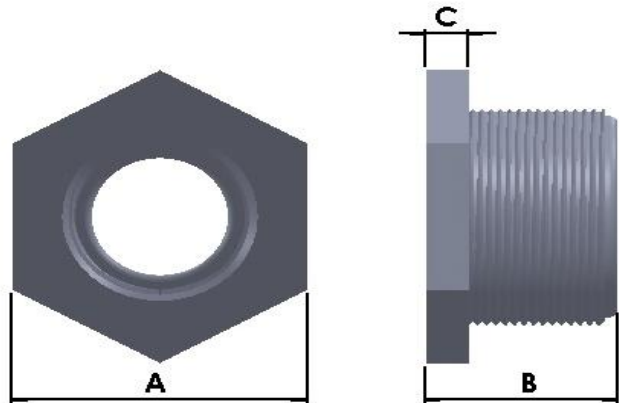
Rounded collar for smooth wire pulling

Material: Iron

(Use suffix S with Cat No. for Steel / SS for Stainless steel)

Finish: Electrogalvanized

(Use suffix HDG with Cat No. for Hot Dip Galv.)



CATNO.	SIZE (M X F)	DIMENSIONS		
		A	B	C
RBH050010	1/2" X 3/8"	22.00	22.00	5.00
RBH075050	3/4" X 1/2"	27.00	22.00	5.00
RBH100050	1" X 1/2"	36.00	23.50	5.00
RBH100075	1" X 3/4"	36.00	23.50	5.00
RBH125050	1-1/4" X 1/2"	46.50	28.00	6.50
RBH125075	1-1/4" X 3/4"	46.50	28.00	6.50
RBH125100	1-1/4" X 1"	46.50	28.00	6.50
RBH150050	1-1/2" X 1/2"	50.80	28.00	6.50
RBH150075	1-1/2" X 3/4"	50.80	28.00	6.50
RBH150100	1-1/2" X 1"	50.80	28.00	6.50
RBH150125	1-1/2" X 1-1/4"	50.80	28.00	6.50
RBH200050	2" X 1/2"	65.00	32.00	6.50
RBH200075	2" X 3/4"	65.00	32.00	6.50
RBH200100	2" X 1"	65.00	32.00	6.50
RBH200125	2" X 1-1/4"	65.00	32.00	6.50
RBH200150	2" X 1-1/2"	65.00	32.00	6.50
RBH250100	2-1/2" X 1"	75.00	33.00	8.00
RBH250125	2-1/2" X 1-1/4"	75.00	33.00	8.00
RBH250150	2-1/2" X 1-1/2"	75.00	33.00	8.00
RBH250200	2-1/2" X 2"	75.00	33.00	8.00
RBH300100	3" X 1"	90.00	33.00	8.00
RBH300125	3" X 1-1/4"	90.00	33.00	8.00
RBH300150	3" X 1-1/2"	90.00	33.00	8.00
RBH300200	3" X 2"	90.00	33.00	8.00
RBH300250	3" X 2-1/2"	90.00	33.00	8.00
RBH350200	3-1/2" X 2"	103.50	33.00	8.00
RBH350250	3-1/2" X 2-1/2"	103.50	33.00	8.00
RBH350300	3-1/2" X 3"	103.50	33.00	8.00
RBH400200	4" X 2"	115.00	33.00	8.00
RBH400250	4" X 2-1/2"	115.00	33.00	8.00
RBH400300	4" X 3"	115.00	33.00	8.00
RBH400350	4" X 3-1/2"	115.00	33.00	8.00
RBH500400	5" X 4"	141.00	35.00	9.50
RBH600400	6" X 4"	167.00	35.00	9.50
RBH600500	6" X 5"	167.00	35.00	9.50

CATNO.	SIZE (M X F)	DIMENSIONS		
		A	B (MAX)	C
RBH2520	M25 X M20	27.00	22.00	5.00
RBH3220	M32 X M20	36.00	23.50	5.00
RBH3225	M32 X M25	36.00	23.50	5.00
RBH4020	M40 X M20	46.50	28.00	6.50
RBH4025	M40 X M25	46.50	28.00	6.50
RBH4032	M40 X M32	46.50	28.00	6.50
RBH5020	M50 X M20	50.80	28.00	6.50
RBH5025	M50 X M25	50.80	28.00	6.50
RBH5032	M50 X M32	50.80	28.00	6.50
RBH5040	M50 X M40	50.80	28.00	6.50
RBH6320	M63 X M20	65.00	32.00	6.50
RBH6325	M63 X M25	65.00	32.00	6.50
RBH6332	M63 X M32	65.00	32.00	6.50
RBH6340	M63 X M40	65.00	32.00	6.50
RBH6350	M63 X M50	65.00	32.00	6.50

** All dimensions in mm