

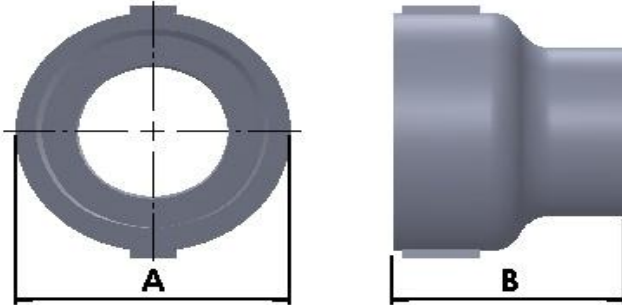
# TECHNICAL SPECIFICATION

## Reducing Coupling

Used to connect conduits of different sizes

**Material:** Iron  
(Use suffix S with Cat No. for Steel / SS for Stainless steel)

**Finish:** Electrogalvanized  
(Use suffix HDG with Cat No. for Hot Dip Galv.)



CATNO.	SIZE	DIMENSIONS	
		A	B
RCP075050	3/4" x 1/2"	32.00	42.00
RCP100050	1" x 1/2"	38.00	46.50
RCP100075	1" x 3/4"	38.00	46.50
RCP125050	1-1/4" x 1/2"	49.00	47.00
RCP125075	1-1/4" x 3/4"	49.00	47.00
RCP125100	1-1/4" x 1"	49.00	51.50
RCP150050	1-1/2" x 1/2"	56.50	47.50
RCP150075	1-1/2" x 3/4"	56.50	47.50
RCP150100	1-1/2" x 1"	56.50	52.00
RCP150125	1-1/2" x 1-1/4"	56.50	52.50
RCP200100	2" x 1"	66.50	52.50
RCP200150	2" x 1-1/2"	66.50	53.50

\*\* All dimensions in mm