



TECHNICAL SPECIFICATION

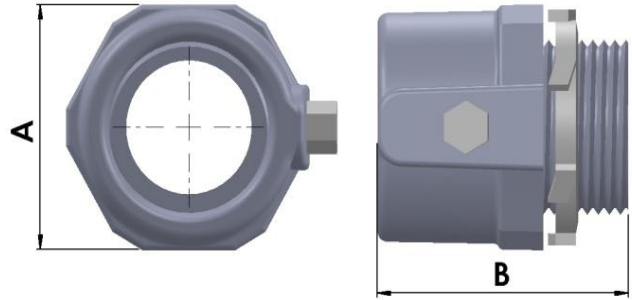
Set Screw Connector

Used to connect conduit to box / enclosure with set screw

Insulated Throat (Optional)
(Use suffix IT with Cat No. for Insulated Throat)

Material: Iron

Finish: Electrogalvanized
(Use suffix HDG with Cat No. for Hot Dip Galv.)



CATNO.	SIZE	DIMENSIONS		
		A	B	C
SSCN050	1/2"	33.50	35.00	12.00
SSCN075	3/4"	39.00	41.10	15.00
SSCN100	1"	46.50	48.80	15.00
SSCN125	1-1/4"	56.30	56.00	16.00
SSCN150	1-1/2"	63.00	59.00	17.50
SSCN200	2"	74.80	62.00	17.50
SSCN250	2-1/2"	93.00	81.00	24.00
SSCN300	3"	110.00	92.00	24.00
SSCN350	3-1/2"	122.00	109.00	25.40
SSCN400	4"	134.00	117.00	25.40
SSCN500	5"	165.00	119.00	26.18
SSCN600	6"	190.00	125.00	26.18

** All dimensions in mm